

Ultra long life

Uniflood LED

Night-time illumination for CCTV



Uniflood LED

Ultra long life, high reliability infra-red illuminator using solid state high efficiency LED's. Uniflood LED is designed for night-time CCTV schemes which demand a high level of reliability and minimum maintenance costs

The inherent low power consumption of the solid state LED array results in very low running costs over the life time of the system

Developed for indoor and external applications with ranges up to 50 metres plus with IR extended cameras and lenses or up to 30 metres using mid-range cameras

Typical schemes include:

Internal

- Warehouses
- Schools
- Hospitals
- Museums & Galleries
- Reception areas
- Corridors

External

- Doorways & Entrances
- Pathways
- Car Parks
- Gardens
- Barrier gates
- Toll booths



IR OFF



IR ON

Uniflood LED Series
Ultra long Life

Solid State
> 5 years life

Semi covert 850nm
&
Covert 940nm

Very low power
consumption
Low running costs

Small, robust
construction

Rated for Indoor
&
Outdoor applications

Low voltage at
camera head

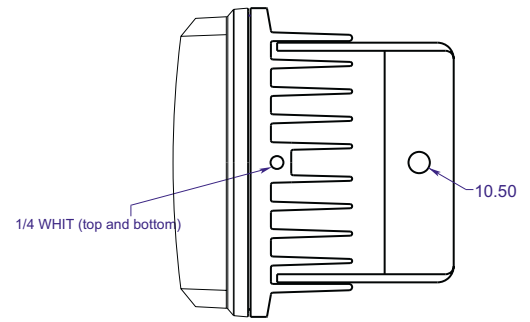
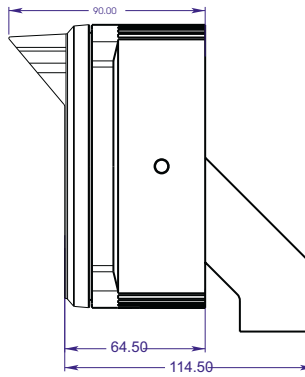
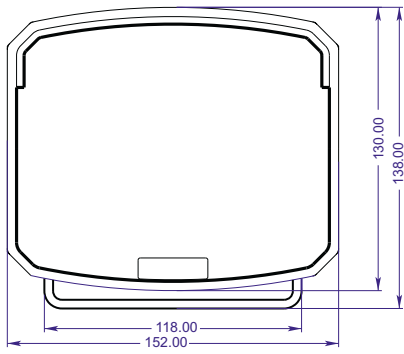
Derwent provide specialised
advice and support for
your night-time illumination
CCTV projects and can
arrange on-site
demonstrations

Uniflood - Night-time illumination for CCTV

Note: For achievable distances please refer to the Matrix

Ultra long life

Uniflood LED



Uniflood LED is available in two standard formats, both of which come with the dedicated Derwent power supply ref: PSU LED V.2 as standard. The two standard formats are:

Part No	Wavelength	Beam Angle	Includes Power Supply ref:
LED 30/850	850nm semi-covert	30° (useable up to 40°)	PSU LED V.2
LED 20/940	940nm covert	20° (useable up to 30°)	PSU LED V.2

Illuminator Specification

General

LED Array	Current Controlled - Supplied with dedicated Derwent Power Supply Unit
Consumption*	50W nominal on full power (external) 40W nominal on low power (internal)
Power Supply	Constant current regulation to LED <i>*Switchable within Derwent dedicated power supply</i>
Temperature Range	25°C ambient max on full power 40°C ambient max on low power
Construction	Robust aluminium casting/extrusion
Weight	1.44kg
Colour	Black
Cable length	Supplied with 4 metres connecting lead

Power Supply Specification



Product Ref: PSU LED V.2

Mains Supply	230V, 50Hz, Protected by 0.8A(T) slow blow fuse
Output	Constant Current Full power external applications with ambient temperature max 25°C. Low power internal applications with ambient temperature max 40°C.
Photocell	Dusk/Dawn automatic switching
Physical	Polycarbonate IP66 Enclosure Dimensions 160mm(l)x120mm(w)x90mm(h) Weight: 1.6kg, includes variable photocell.

Note on LED lamp

LED's (light emitting diodes) are long life devices when used within their specifications. The Uniflood LED should be used with the Derwent dedicated power supply.

LED's are intrinsically low power devices and LED lamps are designed for short range/medium applications. For medium and long range applications consider the use of Uniflood 300 or Uniflood 500 range of products

Reliability of LED's is dependant on temperature of operation and maximum ventilation should be allowed

Ordering Information

Specify as **separate** items:

- Specify lamp(s) part no: UFLED 30/850 or UFLED 20/940
All lamp types are supplied with dedicated Derwent power supply PSU LED V.2 as standard
- Specify bracketry requirement

Agent/Distributor

Europe:

Derwent Systems Limited

Derwent House, Colbourne Crescent,
Nelson Park, Cramlington, Northumberland, NE23 1WB

England

Tel: +44 (0) 1670 730187

Fax: +44 (0) 1670 730188

North America

4060 McConnell Drive, Burnaby
Vancouver, BC V5A 3A8

Canada

Tel: +001 604 420 7711

Fax: +001 604 420 3300

The performance figures given are typical. In view of company policy of continuous product development the specifications may be changed without notice. V30103