



**For Security
Zoom**

D12x8A-YE2

Applicable camera (model)

1	2/3	1/2	1/3	1/4
---	-----	-----	-----	-----

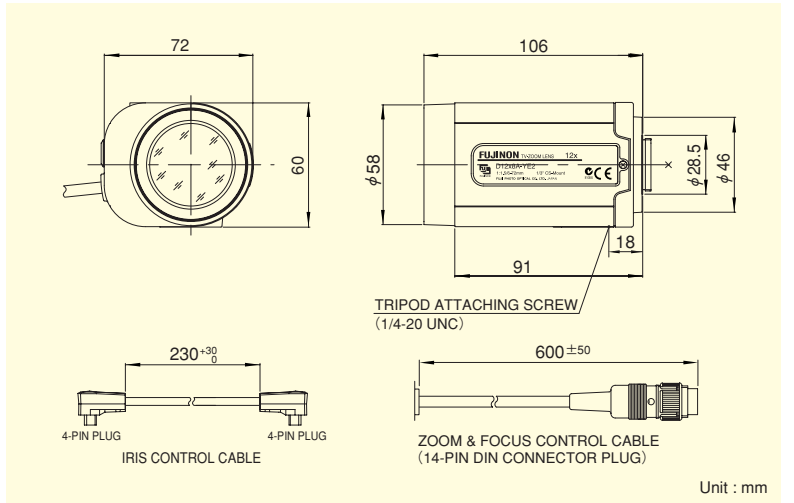
ZOOM Zoom	WIDE Wide Angle	TELE Telephoto Long Focal	MOTOR DRIVE Motor Drive	DC DC Auto Iris	CS-mt CS Mount	METAL Metal Mount
					PRESET Potentiometer	ND ND Filter

12x



*Photograph is a similar model.

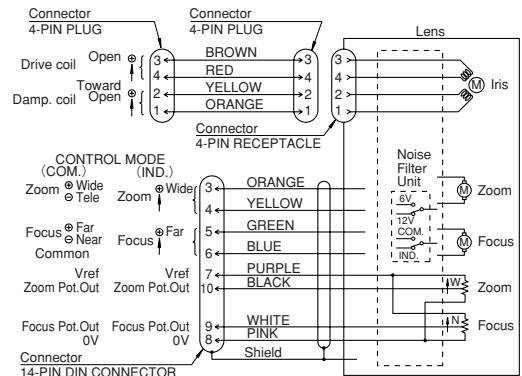
- Standard zoom lens with the excellent cost performance
- Multiple power supply (6V, ±6V, 12V, ±12V) supported, enabling the use of existing control systems
- Built-in potentiometer, supporting the preset-enabled specification
- Built-in ND filter of T400, supporting super sensitive cameras



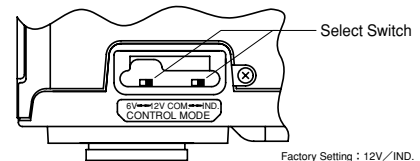
ZOOM LENSES

Focal Length (mm)		8~96 (12x)	
Iris Range		F2.0 ~ T400 (Equivalent to F400)	
Operation	Zoom	Motor Drive	
	Focus	Motor Drive	
	Iris	Auto (DC Type) (*1)	
Angle Of View (H×V)	1/2"	WIDE	43°36' × 33°24'
		TELE	3°49' × 2°52'
	1/3"	WIDE	33°24' × 25°22'
		TELE	2°52' × 2°09'
1/4"	WIDE	25°22' × 19°09'	
	TELE	2°09' × 1°37'	
Focusing Range (From Front Of The Lens) (m)		∞ ~ 1.3	
Object Dimensions at M.O.D. (H×V) (mm)	1/2"	WIDE	1003 × 753
		TELE	84 × 63
	1/3"	WIDE	752 × 565
		TELE	63 × 47
1/4"	WIDE	564 × 424	
	TELE	47 × 35	
Back Focal Distance (in air) (mm)		16.22	
Exit Pupil Position (From Image Plane) (mm)		-51	
Filter Thread (mm)		M55 × 0.75	
Mount		CS	
Mass (g)		350	
Coil Resistance		Drive Coil	180Ω
		Damping Coil	720Ω
Current Consumption		24mA (Max.) at DC 4V	
Standard Accessories		Iris Control Cable	
Remarks		<ul style="list-style-type: none"> • With Metal Mount (*1) When power is turned off, iris will automatically be closed. 	

Wiring



Control Mode



Controller output	Select switch position
6V	6V / IND.
±6V	6V / COM.
12V	12V / IND.
±12V	12V / COM.

Accessories

Close-up Lens

Model	CL3355 (M55×0.75mm fc=333mm)	CL10055 (M55×0.75mm fc=1000mm)		
Imaging Scope (mm)	333~250	1000~500		
Camera Image Size Range	1/2" 1/3" 1/4"	1/2" 1/3" 1/4"		
Object Dimensions (mm)	TELE 1/2"	17×13	TELE 1/2"	37×27
	TELE 1/3"	13×10	TELE 1/3"	27×21
	TELE 1/4"	10×7	TELE 1/4"	21×15
	WIDE 1/2"	203×152	WIDE 1/2"	436×327
	WIDE 1/3"	152×114	WIDE 1/3"	327×245
	WIDE 1/4"	114×86	WIDE 1/4"	245×184