



For Security
Vari-Focal

Applicable camera (model)

YV2.7×2.9LA-2

| | | | | |
|---|-----|-----|-----|-----|
| 1 | 2/3 | 1/2 | 1/3 | 1/4 |
|---|-----|-----|-----|-----|

VARI
Vari-Focal

WIDE
Wide Angle

MANUAL
Manual Iris

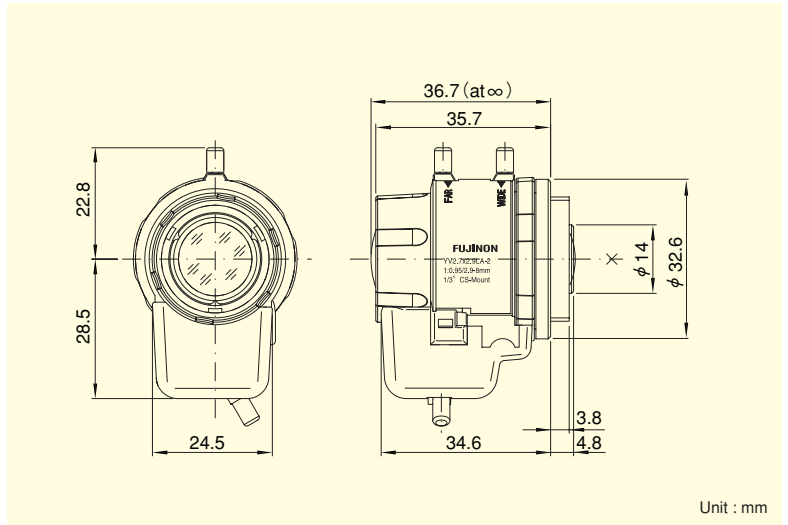
CS-mt
CS Mount

METAL
Metal Mount

AT
Aspherical Lens

F0.95
Wide Aperture Rate

2.7×



Unit : mm

- Unparalleled brightness at the maximum aperture of F0.95, optimizing the performance at low lighting intensity
- Super wide angle spec, WIDE2.9mm, achieving the horizontal field angle of 93 degrees (when used on 1/3 cameras)
- Compact and lightweight design, best suited for the use with dome cameras
- High accuracy aspheric lens adopted, achieving the high quality image

VARI-FOCAL LENSES

| | | | |
|---|-------|---------------|-----------------|
| Focal Length (mm) | | 2.9~8 (2.7×) | |
| Iris Range | | F0.95 ~ Close | |
| Operation | Zoom | Manual | |
| | Focus | Manual | |
| | Iris | Manual | |
| Angle Of View (H×V) | 1/3" | WIDE | 93°34' × 68°46' |
| | | TELE | 34°53' × 26°09' |
| | 1/4" | WIDE | 68°42' × 51°12' |
| | | TELE | 26°06' × 19°36' |
| Focusing Range (From Front Of The Lens) (m) | | ∞ ~ 0.3 | |
| Object Dimensions at M.O.D. (H×V) (mm) | 1/3" | WIDE | 650 × 422 |
| | | TELE | 194 × 143 |
| | 1/4" | WIDE | 488 × 317 |
| | | TELE | 146 × 107 |
| Back Focal Distance (in air) (mm) | | 7.7 | |
| Exit Pupil Position (From Image Plane) (mm) | | 62 | |
| Filter Thread (mm) | | — | |
| Mount | | CS | |
| Mass (g) | | 35 | |
| Remarks | | •Metal Mount | |