



For Security
Vari-Focal

YV10×5B-2

Applicable camera (model)

1	2/3	1/2	1/3	1/4
---	-----	-----	-----	-----

VARI
Vari-Focal

WIDE
Wide Angle

TELE
Telephoto
Long Focal

MANUAL
Manual Iris

CS-mt
CS Mount

METAL
Metal Mount

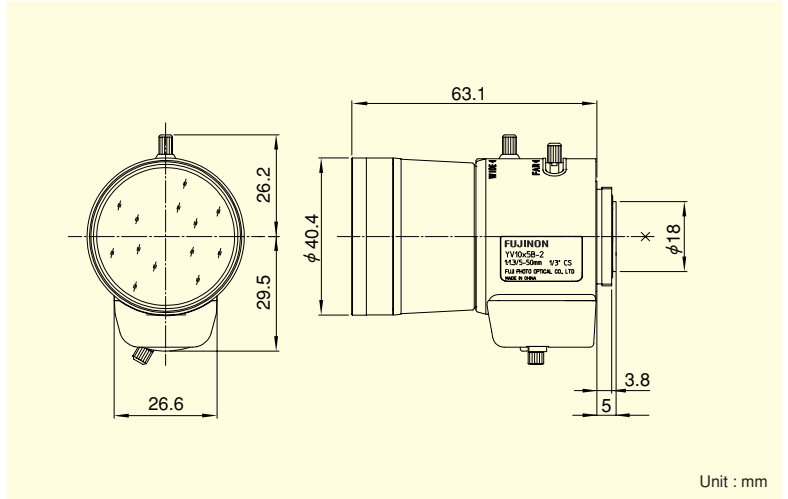
AT
Aspherical Lens

F1.3
Wide Aperture
Rate

10×



- Telephoto, wide range vari-focal lens with the horizontal field angle of 51-5 degrees (when used on 1/3 cameras)
- Wide range of f5-50mm, supporting various applications
- Wide aperture of F1.3, optimizing the performance at low lighting intensity



Unit : mm

Focal Length (mm)		5~50 (10×)	
Iris Range		F1.3 ~ Close	
Operation	Zoom	Manual	
	Focus	Manual	
	Iris	Manual	
Angle Of View (H×V)	1/3"	WIDE	51°59' × 39°12'
		TELE	5°24' × 4°05'
	1/4"	WIDE	39°12' × 29°30'
		TELE	4°05' × 3°05'
Focusing Range (From Front Of The Lens) (m)		∞ ~ 0.3	
Object Dimensions at M.O.D. (H×V) (mm)	1/3"	WIDE	315 × 230
		TELE	62 × 47
	1/4"	WIDE	230 × 170
		TELE	47 × 35
Back Focal Distance (in air) (mm)		10.83	
Exit Pupil Position (From Image Plane) (mm)		292	
Filter Thread (mm)		—	
Mount		CS	
Mass (g)		95	
Remarks		•Metal Mount	