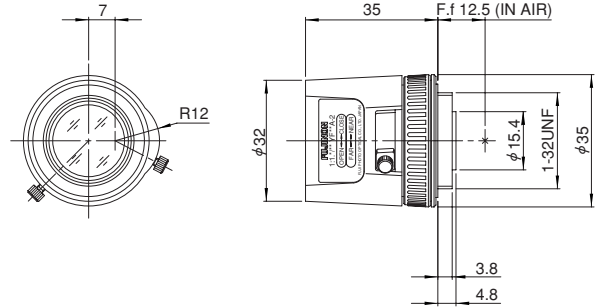


YF8A-2



※Photograph is a similar model.



Unit : mm

Model		YF8A-2
Focal Length		8mm
Iris Range		F1.2 ~ Close
Operation	Iris	Manual
	Focus	Manual
Angle Of View (H × V)	1/3"	33°24' × 25°22'
	1/4"	25°22' × 19°09'
Focusing Range (From Front Of The Lens)		∞ ~ 0.1m
Object Dimensions at M.O.D. (H × V)	1/3"	71mm × 53mm
	1/4"	53mm × 40mm
Back Focal Distance (in air)		8.81mm
Exit Pupil Position (From Image Plane)		-147mm
Filter Thread		—
Mount		CS Mount
Mass		30g
Remarks		