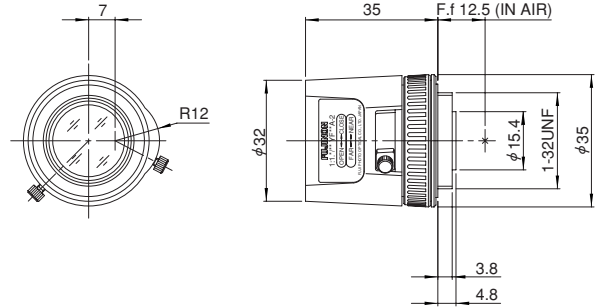


YF16A-2



Unit : mm

Model		YF16A-2
Focal Length		16mm
Iris Range		F1.4 ~ Close
Operation	Iris	Manual
	Focus	Manual
Angle Of View (H × V)	1/3"	17°04' × 12°50'
	1/4"	12°50' × 9°39'
Focusing Range (From Front Of The Lens)		∞ ~ 0.5m
Object Dimensions at M.O.D. (H × V)	1/3"	153mm × 115mm
	1/4"	115mm × 86mm
Back Focal Distance (in air)		10.3mm
Exit Pupil Position (From Image Plane)		80mm
Filter Thread		—
Mount		CS Mount
Mass		25g
Remarks		